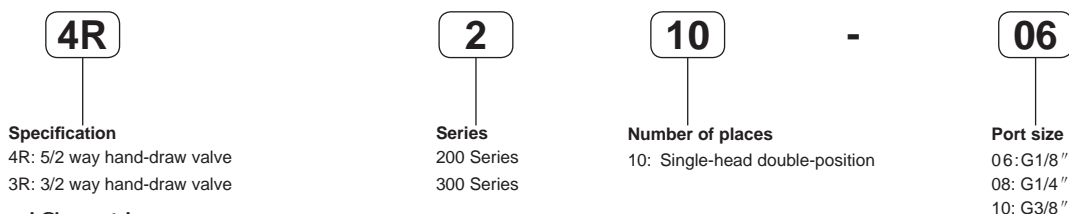


Hand-Draw Valve



Ordering code

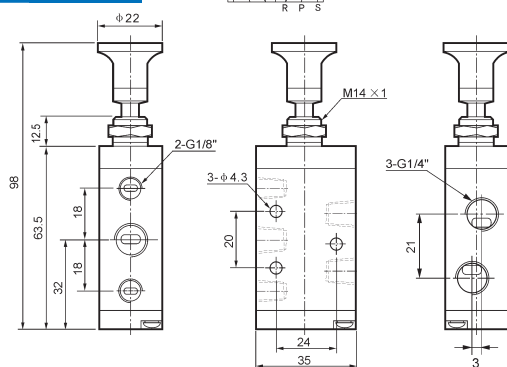


Specifications

Model	4R210-06	4R210-08	3R210-06	3R210-08	4R310-08	4R310-10	3R310-08	3R310-10
Fluid	40 micron filtered air							
Position and way NO.	5/2 way		3/2 way		5/2 way		3/2 way	
Effective area	14mm ² (CV=0.78)	16mm ² (CV=0.89)	14mm ² (CV=0.78)	16mm ² (CV=0.89)	25mm ² (CV=1.40)	30mm ² (CV=1.68)	25mm ² (CV=1.40)	30mm ² (CV=1.68)
Port size	Air inlet=Air outlet =Exhaust=G1/8"	Air inlet=Air outlet =G1/4" Exhaust=G1/8"	Air inlet=Air outlet =Exhaust=G1/8"	Air inlet=Air outlet =Exhaust=G1/4"	Air inlet=Air outlet =Exhaust=G1/4"	Air inlet=Air outlet =G3/8" Exhaust=G1/4"	Air inlet=Air outlet =Exhaust=G1/4"	Air inlet=Air outlet =Exhaust=G3/8"
Operating pressure	0~0.8MPa							
Operating temperature	0~60℃							

Dimensions

4R210-08



3R210-08

